

## Fully integrated 30" customizable refrigerators and wine reserve

### General features

#### True flush customization.

The new Monogram® 30" fully integrated refrigerators and wine reserve have a fully integrated design that offers a true flush fit with surrounding cabinetry. A freezer drawer below the upper compartment is positioned to align smoothly with adjacent drawers. Models can be paired together for maximum storage flexibility and design impact.

**Convertible drawer.** The lower drawer has independent temperature control zones that can be converted to store fresh food, frozen food or wine for ultimate flexibility to meet your daily needs.

#### Dual-refrigeration system.

Three independent temperature-management zones provide precise and customizable climate control.

**LED interior lighting.** The interior lighting gradually brightens and dims when door or drawer is opened or closed, providing clean white illumination that's both attractive and energy efficient.

For additional details on product installation, warranty coverage, care and maintenance, visit [monogram.com](http://monogram.com).



**30" fully integrated solid door refrigerator**

ZIC30GNZII

Overall dimensions (WxHxD in inches):  
29 3/4 x 79 3/8 - 80 3/8 x 23 3/4  
 115 Volts/15 Amps  
 Approx. shipping wt. (lbs.) 440

- 14.1 cu. Ft. capacity
- Integrated design blends seamlessly with surrounding cabinetry
- Professional and European-style panels are available in 80- or 84-inch heights
- Dual-refrigeration system with three independent temperature management zones
- Convertible temperature lower drawer with independent temperature controls
- First HFC-free refrigerator in the U.S.
- Freezer drawer with electronic icemaker and removable ice bin
- LED interior lighting
- Adjustable glass shelves with aluminum trim
- Soft-close freezer and convertible drawers slide into a secure shut position
- Illuminated, electronic glass-touch controls
- Sabbath mode-capable



**30" fully integrated glass door refrigerator**

ZIK30GNZII

Overall dimensions (WxHxD in inches):  
29 3/4 x 79 3/8 - 80 3/8 x 23 3/4  
 115 Volts/15 Amps  
 Approx. shipping wt. (lbs.) 485

- 14.1 cu. Ft. capacity
- Integrated design blends seamlessly with surrounding cabinetry
- Professional and European-style panels are available in 80- or 84-inch heights
- Dual-refrigeration system with three independent temperature management zones
- Convertible temperature lower drawer with independent temperature controls
- First HFC-free refrigerator in the U.S.
- Freezer drawer with electronic icemaker and removable ice bin
- LED interior lighting
- Adjustable glass shelves with aluminum trim
- Soft-close freezer and convertible drawers slide into a secure shut position
- Illuminated, electronic glass-touch controls
- Sabbath mode-capable



**30" fully integrated glass door wine reserve**

ZIW30GNZII

Overall dimensions (WxHxD in inches):  
29 3/4 x 79 3/8 - 80 3/8 x 23 3/4  
 115 Volts/15 Amps  
 Approx. shipping wt. (lbs.) 485

- Holds up to 106 wine bottles
- Integrated design blends seamlessly with surrounding cabinetry
- Professional and European-style panels are available in 80- or 84-inch heights
- Dual-refrigeration system with three independent temperature management zones
- Convertible temperature lower drawer with independent temperature controls
- First HFC-free refrigerator in the U.S.
- Freezer drawer with electronic icemaker and removable ice bin
- LED interior lighting
- Adjustable glass shelves with aluminum trim
- Soft-close freezer and convertible drawers slide into a secure shut position
- Illuminated, electronic glass-touch controls
- Sabbath mode-capable



ENERGY STAR® qualified to use less energy and save money Solid door only.

Fully integrated refrigerators /wine reserve

Built-in side-by-side refrigerators

Built-in bottom-freezer refrigerators

Built-in all-refrigerators and all-freezers

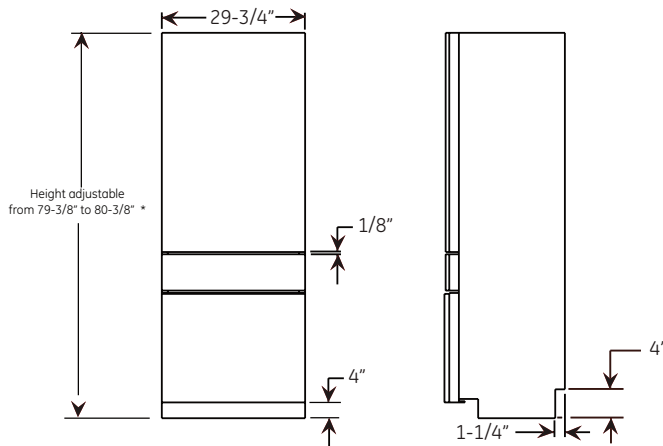
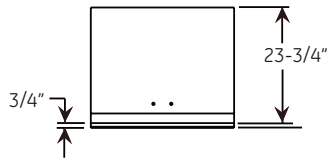
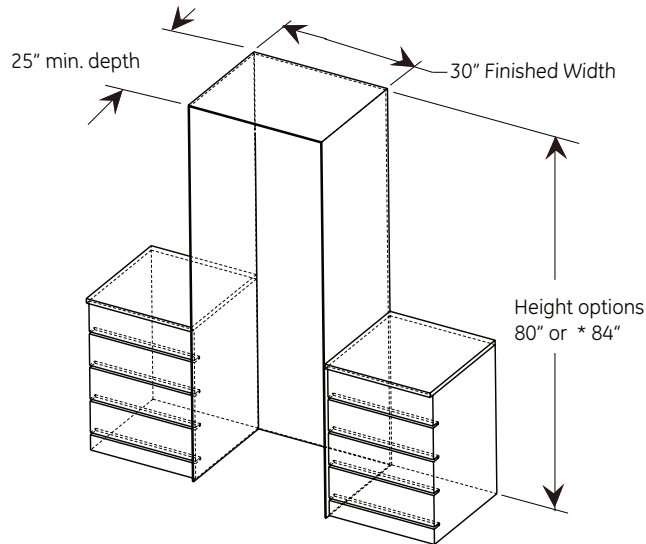
Free-standing refrigerators

# Advance planning for fully integrated 30" customizable refrigerators and wine reserve

## The Installation Space

ZISP480DXSS, ZISP420DXSS

The finish cutout width must be 30".



The cutout depth must be 25" for flush installations.

The front face of the refrigerator fits flush with 25" depth adjacent cabinets.

## Electrical

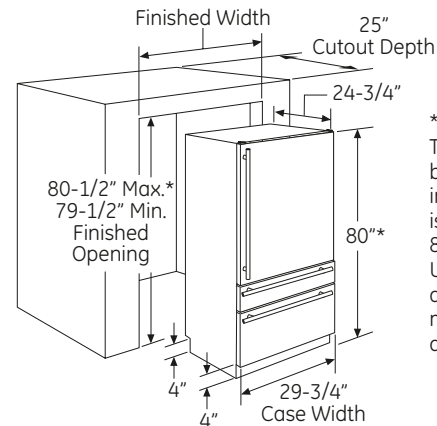
A 115V, 60Hz, 15 or 20 amp power supply is required. An individual properly grounded branch circuit or circuit breaker is recommended. Install a properly grounded 3-prong electrical receptacle recessed into the back wall. Electrical must be located on rear wall as shown.

**Note:** GFI (ground fault interrupter) is not recommended.

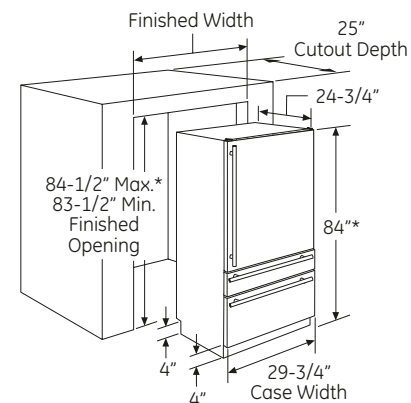
## Water Line

- A cold water supply is required for automatic icemaker operation. The water pressure must be between 40 and 120 p.s.i.
- Route 1/4" OD copper or GE SmartConnect™ plastic tubing between the house cold water line and the water connection location.
- Tubing should be long enough to extend to the front of the refrigerator. Allow enough tubing to accommodate a bend leading into the water line connection.
- Water line can enter an opening through the floor or back wall.
- Install a shut-off valve between the icemaker water valve and cold water supply in the home.

## Product Dimensions



\* 80" High installation. The refrigerator can be adjusted to fit into a cutout that is 79-1/2" min. to 80-1/2" max. height. Use leveling legs and wheels for a maximum 1" height adjustment.

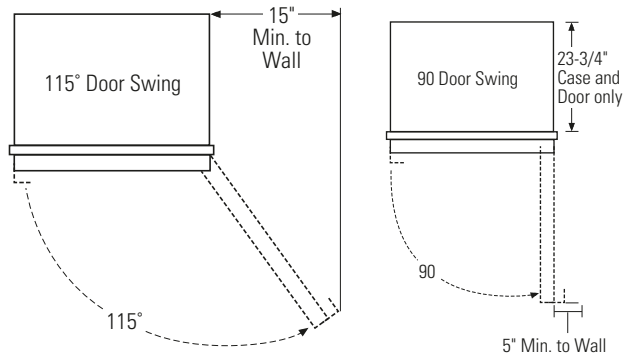


\* 84" High installation. The refrigerator can be adjusted to fit into a cutout that is 83-1/2" min. to 84-1/2" max with the appropriate door kit. Use leveling legs and wheels for a maximum 1" height adjustment.

## Advance planning for fully integrated 30" customizable refrigerators and wine reserve

### Door Swing Clearances

The installation must allow for clearances to adjacent walls or cabinets. These refrigerators are equipped with a 2-position door stop. The factory-set 115° door swing can be adjusted to 90° if clearance to adjacent cabinets or walls is restricted.



Allow 15" minimum clearances for a full 115° door swing.

- 5" minimum clearance is required when the door swing is adjusted to 90°.
- See door swing illustrations to determine interaction with adjacent cabinets or countertops.

### Customization Basics:

These refrigerators are factory set for a right hinged door swing. The door swing is reversible. Choose an RH model with hinge on the right side; the door swings left to right. Choose an LH model with hinge on the left side; the door will swing right to left.

### Door Handles

Custom handles of your choice, supplied by your cabinetmaker, can be installed. If desired, you may order WR12X10988 Monogram® European stainless steel tubular handle kit for custom panels.

### Optional Accessory Kits

ZUG30: For side-by-side installation

European Handle Kit: can be purchased through GE Parts store - WR12X10988

### Dimensions and Installation Information (in inches)

#### SS Panel Accessory & Dimensions

#### 3/4"-thick solid door panel options for 80" high installation

- European - Panel Model ZKST300N LH & RH capable
- Professional - Panel Model ZKSP300N LH & RH capable

#### For 84" high installation

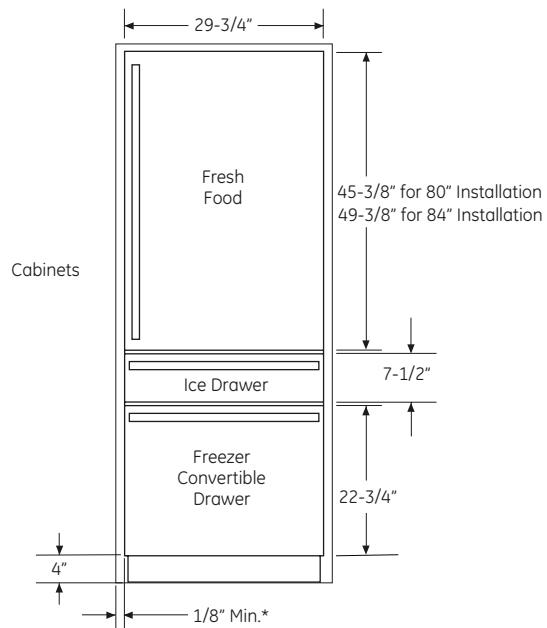
the door panel is not reversible for the 84" installations. A left or right-hand door panel accessory must be purchased.

- LH European - Model ZKST304NLH
- RH European - Model ZKST304NRH
- LH Professional - Model ZKSP304NLH
- RH Professional - Model ZKSP304NRH

**Note:** Each kit also contains matching freezer and customizable drawer panels, handles and toekick.

#### Optional Accessory Kits:

- Side-by-Side Installation Kit - ZUG30
- European handle kit - 3 handles (can be purchased through GE Parts) - WR12X10988



ENERGY STAR® qualified to use less energy and save money Solid door only.

# Advance planning for fully integrated 30" customizable refrigerators and wine reserve

## Dimensions and Installation Information (in inches)

### 3/4"-Thick Frame for Glass Door Options

#### For 80" High Installation

- European - Panel Model ZKGT300N LH & RH capable
- Professional - Panel Model ZKGP300N LH & RH capable

#### For 84" high installation

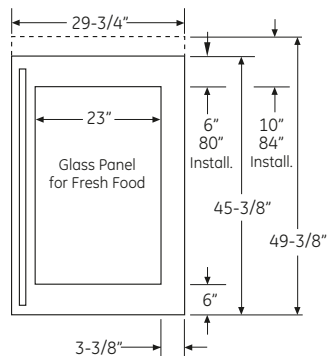
the door panel is not reversible for the 84" installations. A left or right-hand door panel accessory must be purchased.

- LH European - Model ZKST304NLH
- RH European - Model ZKST304NRH
- LH Professional - Model ZKSP304NLH
- RH Professional - Model ZKSP304NRH

**Note:** Each kit also contains matching freezer and convertible drawer panels, handles and toekick.

#### Optional Accessory Kits:

- Side-by-Side Installation Kit - ZUG30
- European handle kit - 3 handles (can be purchased through GE Parts) - WR12X10988



## Dimensions and Installation Information (in inches)

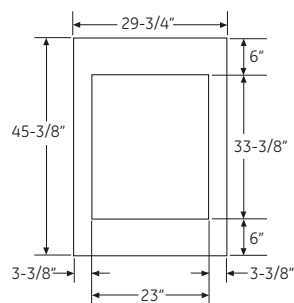
### 3/4"-Custom Panel Dimensions

#### 80" High Fully Integrated Installation

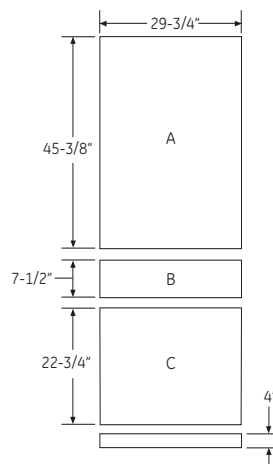
If you choose to install custom panels, they must be cut to the dimensions shown. The panels will attach to the door and drawers using a hook and bracket system.

**Note:** This product is designed to handle 3/4" panels that are made of wood.

33-3/8" x 23" is the maximum opening for a glass window. The opening may be smaller if desired.



Panels for glass door



### Panels for solid door and drawers

**Important Note:** Maximum panel weight:

- A** Fresh Food Door Panel: 33 lbs.
- B** Freezer Drawer Panel: 9 lbs.
- C** Convertible Food Drawer Panel: 19 lbs.

\*Styles must be a min 3-3/8" to cover aluminum door frame.

**Design Tip:** Some amount of each panel will be visible on the interior side of the unit. It is recommended that both sides of each panel be finished.

**Design Tip:** If using custom panels, a custom toe kick should be considered. The bottom of case is white

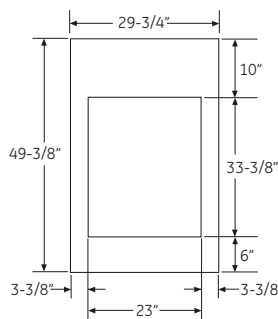
### 3/4"-Custom Panel Dimensions

#### 84" High Fully Integrated Installation

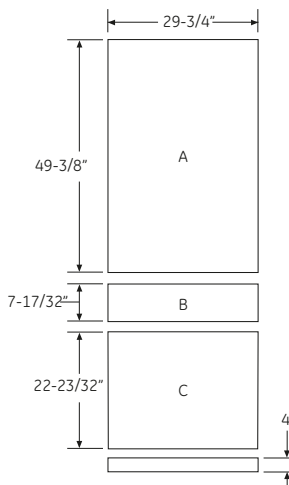
If you choose to install custom panels, they must be cut to the dimensions shown. The panels will attach to the door and drawers using a hook and bracket system.

**Note:** This product is designed to handle 3/4" panels that are made of wood.

33-3/8" x 23" is the maximum opening for a glass window. The opening may be smaller if desired.



Panels for glass door



### Panels for solid door and drawers

**Important Note:** Maximum panel weight:

- A** Fresh Food Door Panel: 33 lbs.
- B** Freezer Drawer Panel: 9 lbs.
- C** Convertible Food Drawer Panel: 19 lbs.

\*Styles must be a min 3-3/8" to cover aluminum door frame.

## Advance planning for fully integrated 30" customizable refrigerators and wine reserve

### Dimensions and Installation Information (in inches)

SS European or Custom Panels

Top View

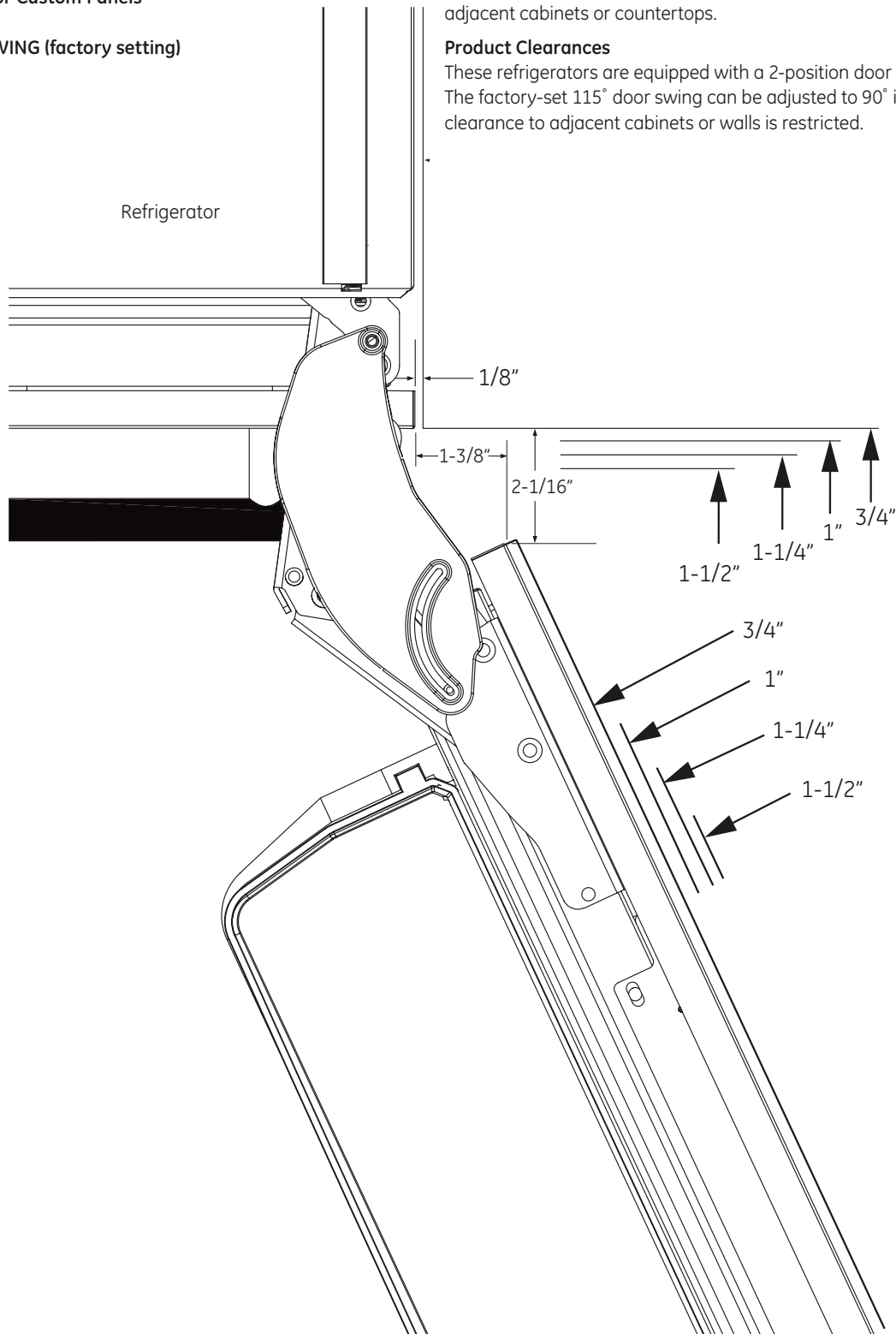
115° DOOR SWING (factory setting)

### Advance Planning

Use this page to determine door swing interaction with adjacent cabinets or countertops.

### Product Clearances

These refrigerators are equipped with a 2-position door stop. The factory-set 115° door swing can be adjusted to 90° if clearance to adjacent cabinets or walls is restricted.



Fully integrated refrigerators / wine reserve

Built-in side-by-side refrigerators

Built-in bottom-freezer refrigerators

Built-in all-refrigerators and all-freezers

Free-standing refrigerators

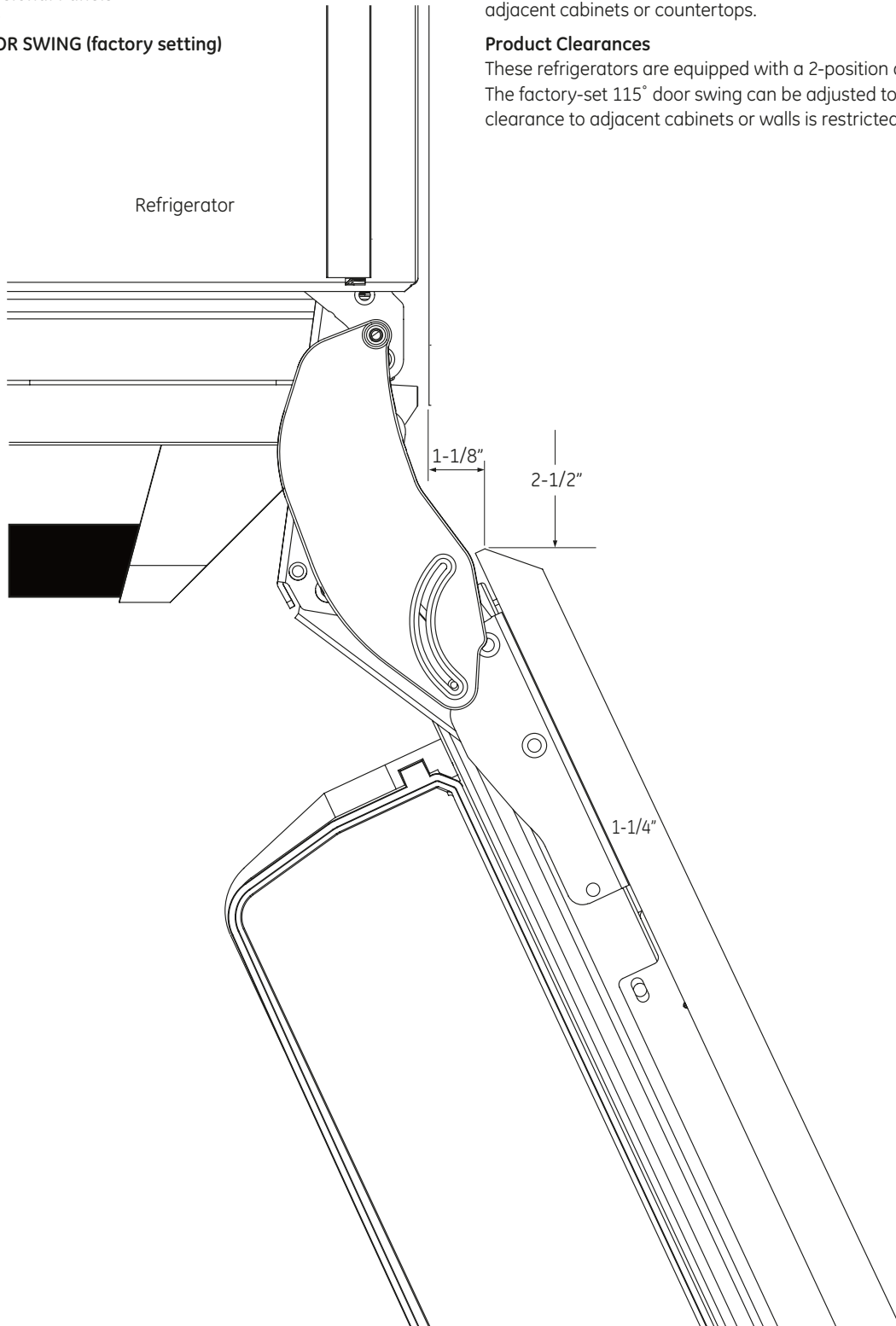
## Advance planning for fully integrated 30" customizable refrigerators and wine reserve

### Dimensions and Installation Information (in inches)

#### SS Professional Panels

#### Top View

#### 115° DOOR SWING (factory setting)



### Advance Planning

Use this page to determine door swing interaction with adjacent cabinets or countertops.

### Product Clearances

These refrigerators are equipped with a 2-position door stop. The factory-set 115° door swing can be adjusted to 90° if clearance to adjacent cabinets or walls is restricted.

## Advance planning for fully integrated 30" customizable refrigerators and wine reserve

### Dimensions and Installation Information (in inches)

SS European or Custom Panels

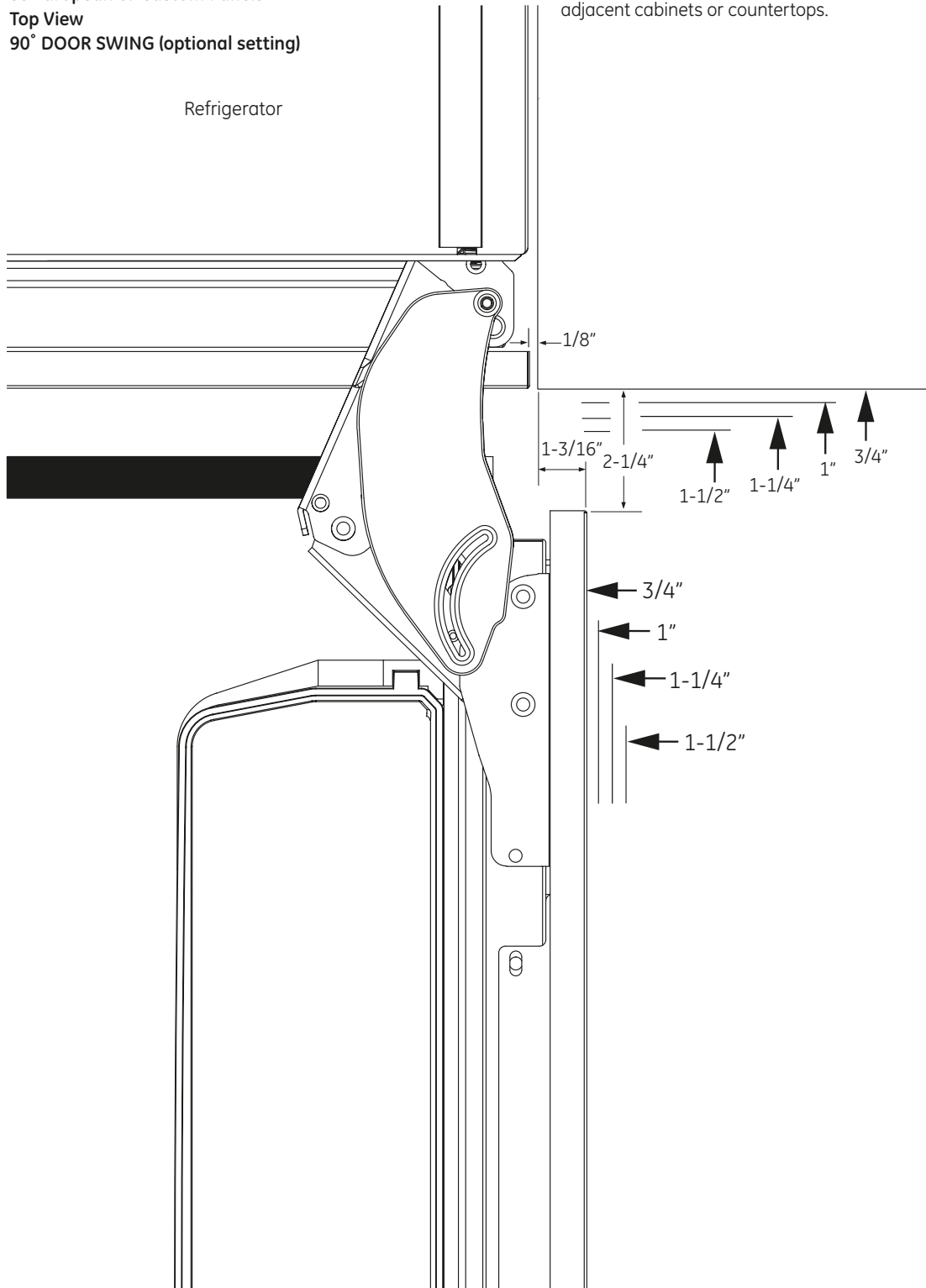
Top View

90° DOOR SWING (optional setting)

Refrigerator

### Advance Planning

Use this page to determine door swing interaction with adjacent cabinets or countertops.



Fully integrated refrigerators / wine reserve

Built-in side-by-side refrigerators

Built-in bottom-freezer refrigerators

Built-in all-refrigerators and all-freezers

Free-standing refrigerators

# Advance planning for fully integrated 30" customizable refrigerators and wine reserve

## Dimensions and Installation Information (in inches)

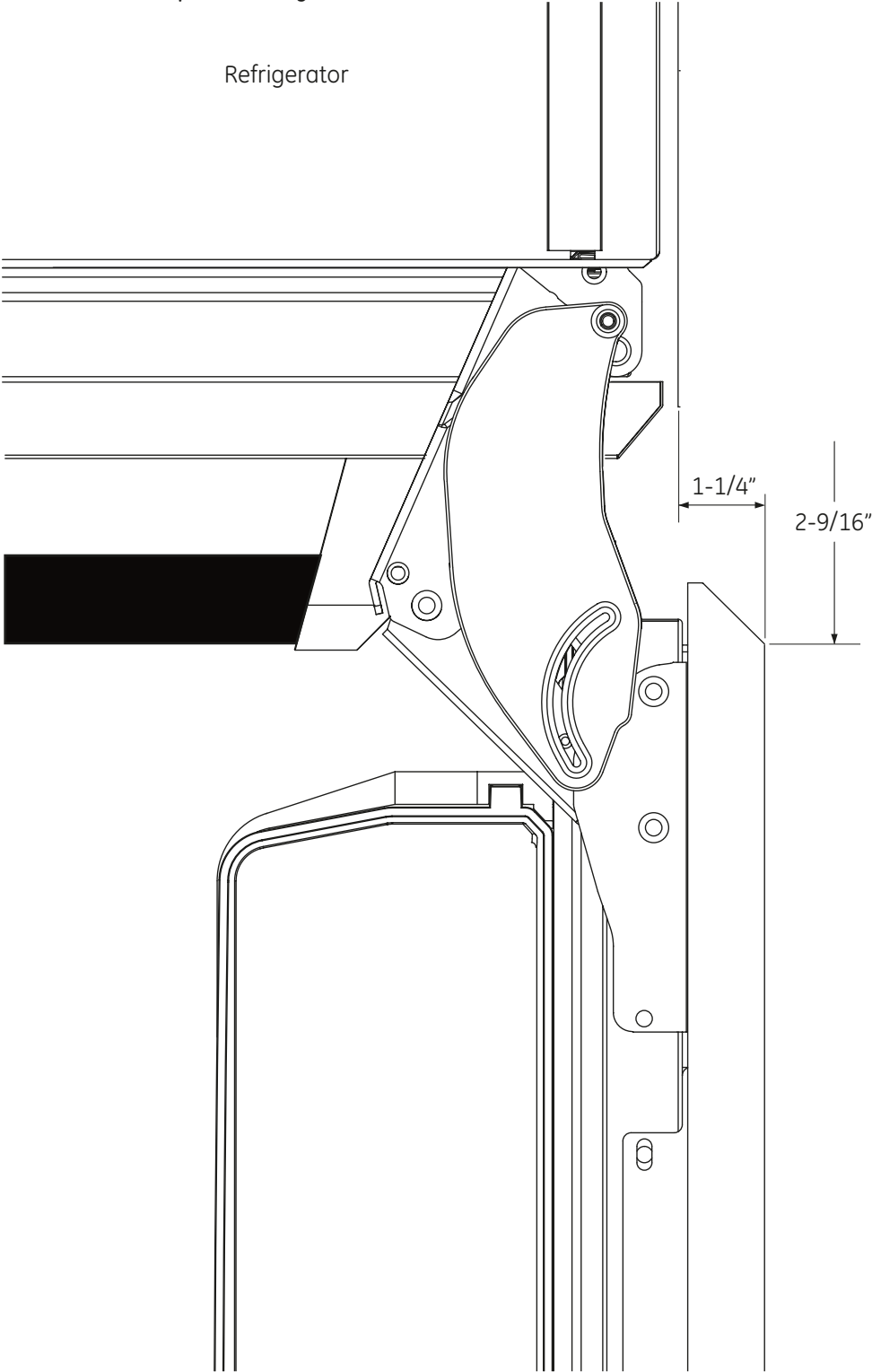
SS Professional Panels

Top View

90° DOOR SWING (optional setting)

## Advance Planning

Use this page to determine door swing interaction with adjacent cabinets or countertops.





## Custom options for refrigerators

### 48", 42" and 36" side-by-side refrigerators

Models	ZISW480DX ZISW420DX ZISW360DX	ZISB480DX ZISB420DX ZISB360DX	ZIS480NX ZIS420NX ZIS360NX
<b>Custom options</b>			
Stainless steel tubular handles for overlay panels	ZKHSS2	ZKHSS2	ZKHSS2
Professional tubular stainless steel handles for overlay panels	ZKHPSS1*	ZKHPSS1*	ZKHPSS1*
Certified Sabbath mode kit	ZSAB1	ZSAB1	ZSAB1

\*Includes one handle; order two kits for side-by-side refrigerators.

### 36" bottom-freezer refrigerators

Models	ZIC360NXRH ZIC360NXLH	ZICS360NXRH ZICS360NXXRH	ZICP360NXRH ZICP360NXLH
<b>Custom options</b>			
Stainless steel tubular handles for overlay panels	ZKHCSS2		
Professional tubular stainless steel handles for overlay panels	ZKHPSS1*		
Unified grille kit	ZUG2	ZUGSS2	ZUGPP2
Custom handle side trim kit for 3/4"-thick custom panels	ZKHCT		
Certified Sabbath mode kit	ZSAB1	ZSAB1	ZSAB1

\*Includes one handle; order two kits for fresh food and freezer panels.

### 36" all-refrigerators and all-freezers

	all-refrigerators	ZIR360NXRH ZIR360NXLH	ZIRS360NXRH ZIRS360NXLH	ZIRP360NXRH ZIRP360NXLH
Models	all-freezers	ZIF360NXRH ZIF360NXLH	ZIFS360NXRH ZIFS360NXLH	ZIFP360NXRH ZIFP360NXLH
<b>Custom options</b>				
Stainless steel tubular handles for overlay panels		ZKHSS2		
Professional tubular stainless steel handles for overlay panels		ZKHPSS1		
Unified grille kit		ZUG2	ZUGSS2	ZUGPP2
Certified Sabbath mode kit		ZSAB1	ZSAB1	ZSAB1

### Glossary of terms

#### Tubular stainless steel handle.

Monogram® stainless steel tubular handles can be used with custom panels. Tubular handles are 62-3/8" long.

#### Professional stainless steel handle.

Professional tubular stainless steel handle designed to fit 3/4" overlay panels. Kit includes one handle. The professional handle is 31" long.

#### Unified grille panel kit.

An optional grille panel creates a unified look above two units placed side by side.

#### Optional Sabbath mode product kit.

Designed for use on the Jewish Sabbath and holidays, this kit allows the refrigerator to operate but will not respond to actions by the consumer.